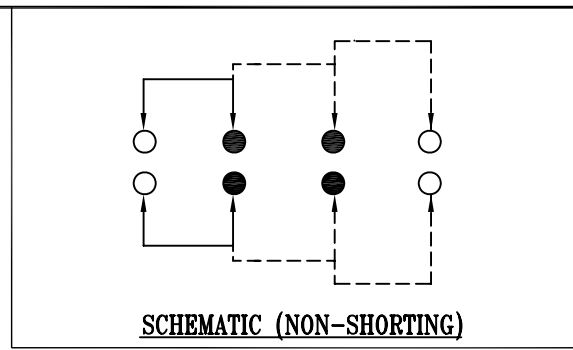
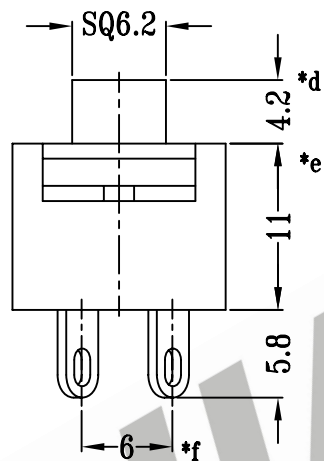
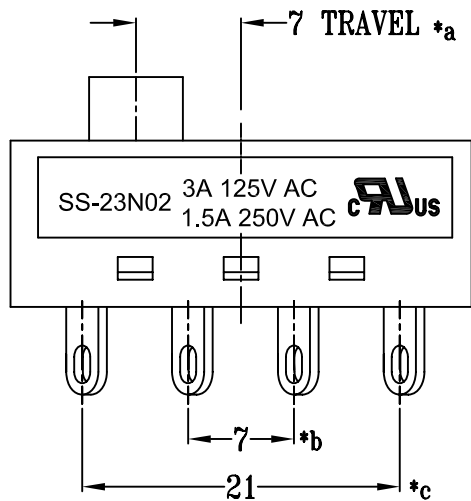
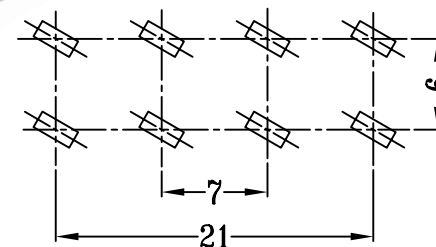
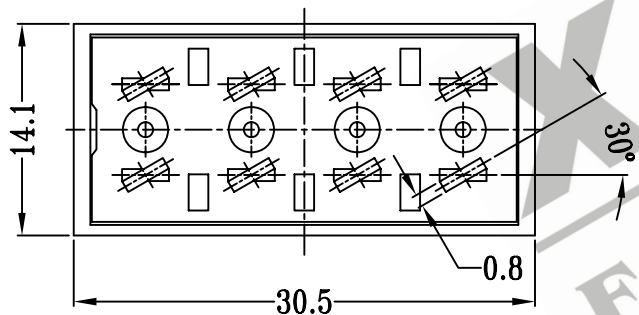


CAD FILE:



RATING:

3A 125V AC
1.5A 250V AC



P.C.B LAYOUT

注:带"*"表示关键尺寸(6个)

8	PRESS BAR	NYLON+F.G (UL94 V0)	1	BLACK	TOLERANCE UNLESS SPECIFIED	SHENZHEN XIEJIA ELECTRONICS CO.,LTD.				
7	SPRING B	SUS	4	TEMPER						
6	CONTACT	COPPER STRIP	2	Ag PLATED OVER Ni PLATED	WITHIN: 1.5±0.1mm OVER: 1.5±0.2mm	ISSUE	DATE	DESCRIPTIONS OF REVISION		APPD.
5	SPRING A	SUS	1	TEMPER						
4	CASE	NYLON66+F.G25% (UL94 V0)	1	BLACK	TITLE : VERTICAL SLIDE SWITCH		UNIT : mm	DRWG NO.: XJ-DR-SS23N02-00		
3	TERMINAL	COPPER STRIP	8	Ag PLATED OVER Ni PLATED	MODEL: SS-23N02-A001-01		SCALE: 2 : 1	DWN.	ZHOUYU	2003-5-13
2	COVER	NYLON66+F.G25% (UL94 V0)	1	BLACK	ALL MATERIALS MUST BE COMPLIANT TO ROHS		APPD.	CHK'D	FANGYING	2003-5-13
1	KNOB	NYLON66+F.G25% (UL94 V0)	1	BLACK				KANGXINAN	2003-5-13	
NO.	PARTS	MATERIALS	Q'TY	FINISH						